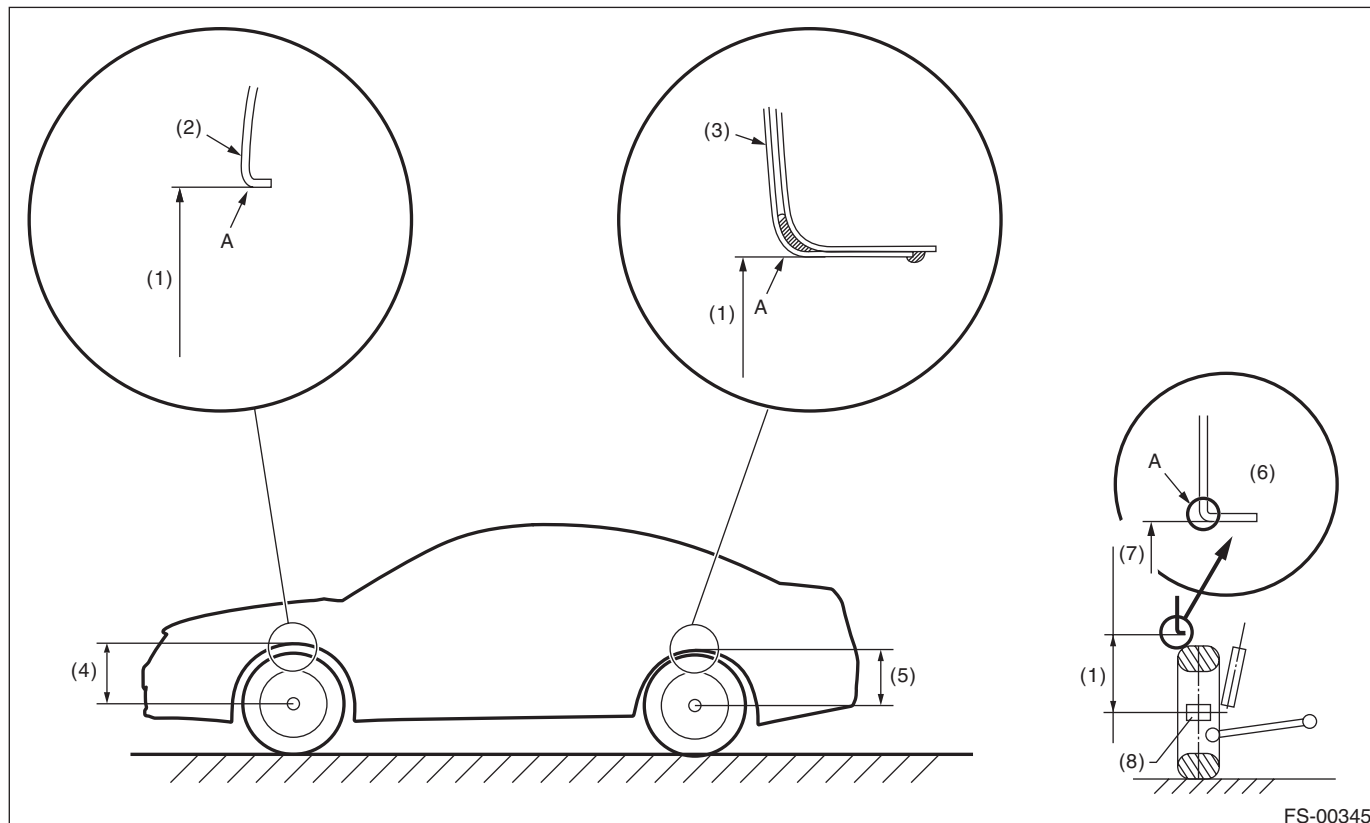


# Wheel Alignment

## FRONT SUSPENSION

### 1. WHEEL ARCH HEIGHT

- 1) Park the vehicle on a level surface.
- 2) Empty the vehicle so that it is at “curb weight”. (Empty the luggage compartment, load the spare tire, jack and service tools, and fill up the fuel tank.)
- 3) Set the steering wheel in a straight-ahead position, and stabilize the suspension by moving the vehicle in a straight line for 5 m (16 ft) or more.
- 4) Suspend a thread from the wheel arch (point “A” in the figure below) and affix at a position directly above the center of wheel.
- 5) Measure the distance between the point “A” and the center of wheel.



FS-00345

- |                       |                             |                          |
|-----------------------|-----------------------------|--------------------------|
| (1) Wheel arch height | (4) Front wheel arch height | (7) Point of measurement |
| (2) Front fender      | (5) Rear wheel arch height  | (8) End of spindle       |
| (3) Rear quarter      | (6) Flange bend line        |                          |

Wheel arch height specification mm (in) (Tolerance: +12 mm -24 mm (+0.47 in -0.94 in))			
Tire size	P205/60R16 P215/50R17	P225/50R17 P225/45R18	P225/60R17 P215/70R16
Front	403 (15.9)	395 (15.6)	469 (18.5)
Rear	392 (15.4)	387 (15.2)	474 (18.7)

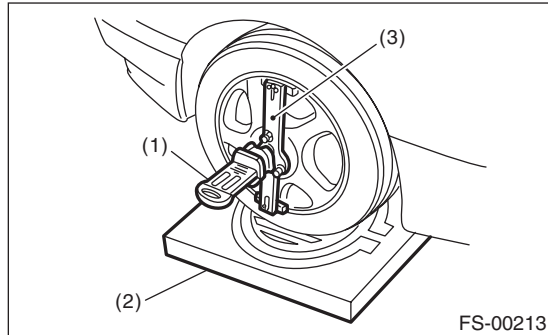
## 2. CAMBER

1) Place the front wheel on the turning radius gauge.

**NOTE:**

Make sure the ground contact surfaces of the front and rear wheels are at the same height.

2) Set the adapter into the center of wheel, and then set the wheel alignment gauge.



- (1) Alignment gauge
- (2) Turning radius gauge
- (3) Adapter

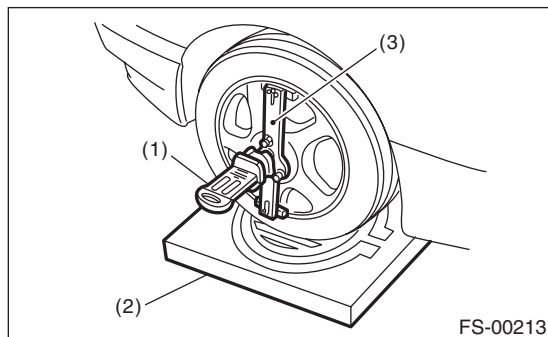
3) Measure the camber angle in accordance with the operation manual for wheel alignment gauge.

Model	Camber (Difference between RH and LH 45' or less)
P205/60R16 P215/50R17	$-0^{\circ}30' \pm 0^{\circ}45'$
P225/50R17 P225/45R18	$-0^{\circ}15' \pm 0^{\circ}45'$
P225/60R17 P215/70R16	$0^{\circ}00' \pm 0^{\circ}45'$

## 3. CASTER

1) Place the front wheel on the turning radius gauge. Make sure the ground contact surfaces of the front and rear wheels are at the same height.

2) Set the adapter into the center of wheel, and then set the wheel alignment gauge.



- (1) Alignment gauge
- (2) Turning radius gauge
- (3) Adapter

# Wheel Alignment

## FRONT SUSPENSION

3) Measure the caster angle in accordance with the operation manual for wheel alignment gauge.

Model	Caster
P205/60R16 P215/50R17	5°55'
P225/50R17 P225/45R18	6°00'
P225/60R17 P215/70R16	5°05'

## 4. STEERING ANGLE

- 1) Place the vehicle on turning radius gauge.
- 2) While depressing the brake pedal, turn the steering wheel fully to the left and right.
- 3) With the steering wheel held at each fully turned position, measure both the inner and outer wheel steering angles.

Model	Inner wheel	Outer wheel
P205/60R16 P215/50R17	37.6°±1.5°	33.3°±1.5°
P225/50R17 P225/45R18	37.4°±1.5°	33.0°±1.5°
P225/60R17 P215/70R16	38.4°±1.5°	34.1°±1.5°

## 5. FRONT WHEEL TOE-IN

### *Toe-in: Inspection value*

**1±3 mm (0.04±0.12 in)**

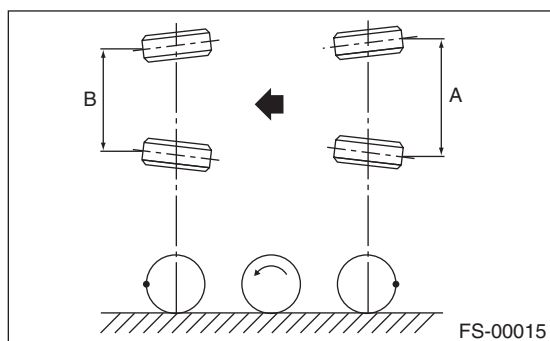
- 1) Set the toe-in gauge in the position at wheel axis center height behind the right and left front tires.
- 2) Place a mark at the center of both left and right tires, and measure distance "A" between the marks.
- 3) Move the vehicle forward to rotate the tires 180°.

### NOTE:

Be sure to rotate the tires in the forward direction.

- 4) Measure the distance "B" between the left and right marks. Find toe-in using the following calculation:

$$A - B = \text{Toe-in}$$



## 6. REAR WHEEL TOE-IN

Refer to the FRONT WHEEL TOE-IN for rear toe-in inspection procedures. <Ref. to FS-12, STEERING ANGLE, INSPECTION, Wheel Alignment.>

### *Toe-in: Inspection value*

**Other than OUTBACK model: 0±3 mm (0±0.12 in)**

**OUTBACK model: 2±3 mm (0.08±0.12 in)**

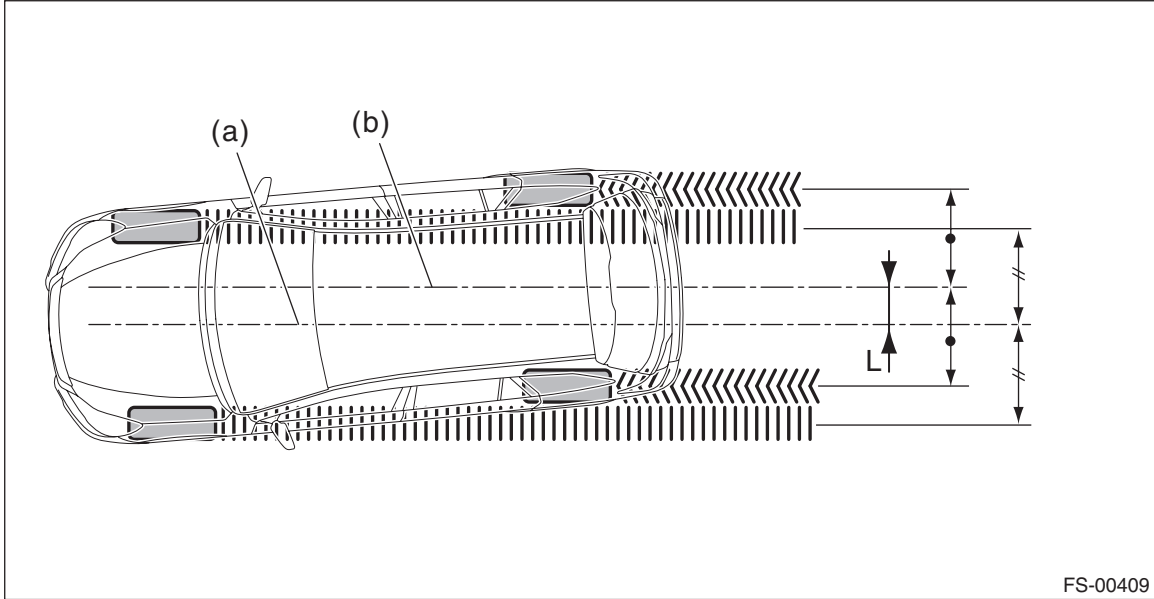
## 7. THRUST ANGLE

- 1) Park the vehicle on a level surface.
- 2) Move the vehicle 3 to 4 meters (10 to 13 feet) straight forward.
- 3) Draw the center of loci for both the front and rear axles.
- 4) Measure distance "L" between the center lines of the axle loci.

**Thrust angle: Inspection value**

$0^{\circ} \pm 30'$

**Less than 30' when "L" is 23 mm (0.9 in) or less**



FS-00409

(a) Center line of loci (front axle)

(b) Center line of loci (rear axle)

## B: ADJUSTMENT

### CAUTION:

When the wheel alignment has been adjusted, perform the 0 point setting mode for each sensor in the VDCCM&H/U. <Ref. to VDC-20, ADJUSTMENT, VDC Control Module and Hydraulic Control Unit (VDCCM&H/U).>

### 1. FRONT CAMBER

- 1) Adjust the camber angle to the following value.

Model	Camber (Difference between RH and LH 45' or less)
P205/60R16 P215/50R17	$-0^{\circ}30' \pm 0^{\circ}30'$
P225/50R17 P225/45R18	$-0^{\circ}15' \pm 0^{\circ}30'$
P225/60R17 P215/70R16	$0^{\circ}00' \pm 0^{\circ}30'$

- 2) Loosen the two flange nuts located at the front lower section of the strut.

### NOTE:

When the adjusting bolt needs to be loosened or tightened, hold its head with a wrench and turn the flange nut.

# Wheel Alignment

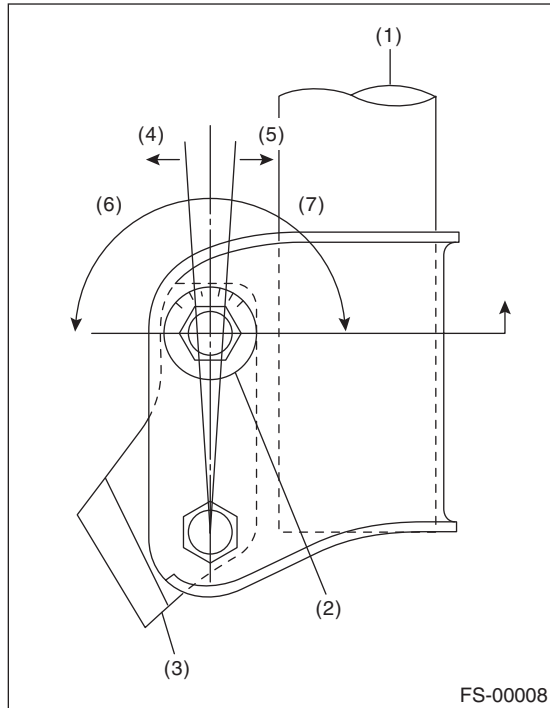
## FRONT SUSPENSION

---

3) Turn the camber adjusting bolt so that the camber is set at specification.

### NOTE:

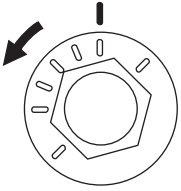
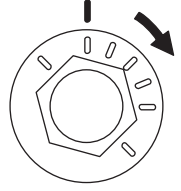
Moving the adjusting bolt by one scale changes the camber by approximately  $0^{\circ}10'$ .

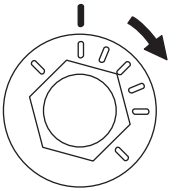
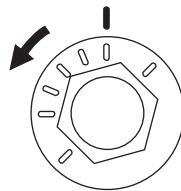


- (1) Strut
- (2) Adjusting bolt
- (3) Front axle housing
- (4) Outer
- (5) Inner
- (6) Camber is increased.
- (7) Camber is decreased.

# Wheel Alignment

FRONT SUSPENSION

To increase camber.	
Rotate the left side counterclockwise.	Rotate the right side clockwise.
	
FS-00352	FS-00353

To decrease camber.	
Rotate the left side clockwise.	Rotate the right side counterclockwise.
	
FS-00353	FS-00352

4) Tighten two new flange nuts.

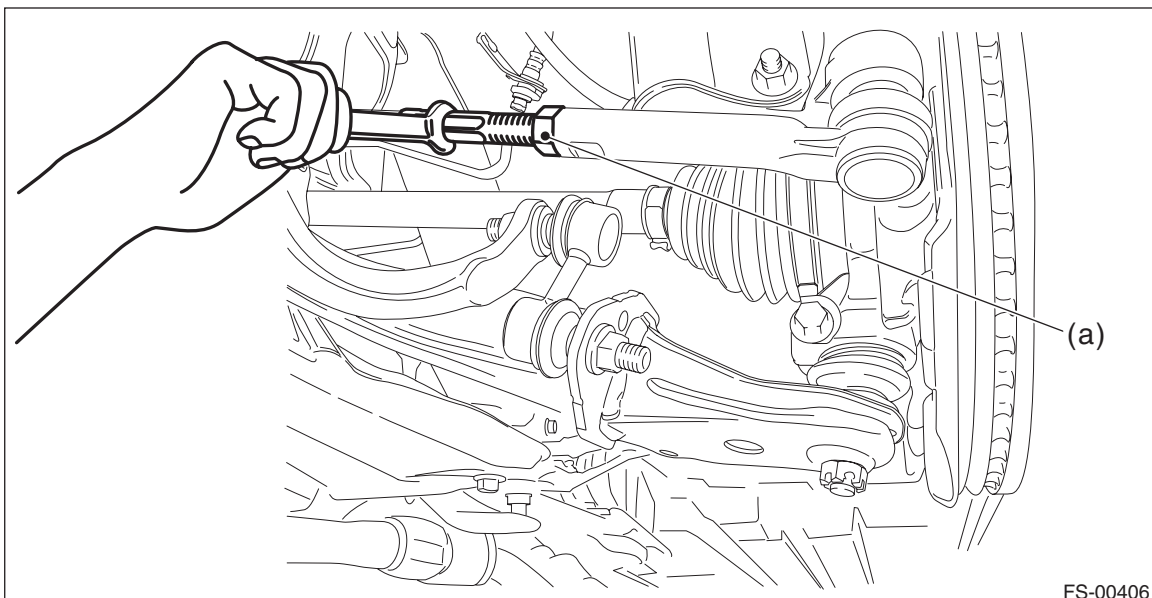
**Tightening torque:**

**155 N·m (15.81 kgf·m, 114.3 ft·lb)**

## 2. STEERING ANGLE

1) Adjust the steering angle of both inner and outer wheels.

(1) Loosen the steering tie-rod lock nut (a), and rotate the tie-rod.



FS-00406

(2) Turn the tie-rod to adjust the steering angle of both inner and outer wheels.

# Wheel Alignment

## FRONT SUSPENSION

---

- (3) Tighten the steering tie-rod lock nut (a).

### **Tightening torque:**

**85 N·m (8.67 kgf·m, 62.7 ft·lb)**

### NOTE:

Check and correct the tie-rod boot if twisted.

- 2) Check the toe-in. <Ref. to FS-12, STEERING ANGLE, INSPECTION, Wheel Alignment.>

### 3. FRONT WHEEL TOE-IN

When adjusting the toe-in, adjust it to the following value. <Ref. to FS-15, STEERING ANGLE, ADJUSTMENT, Wheel Alignment.>

### **Toe-in: Adjustment value**

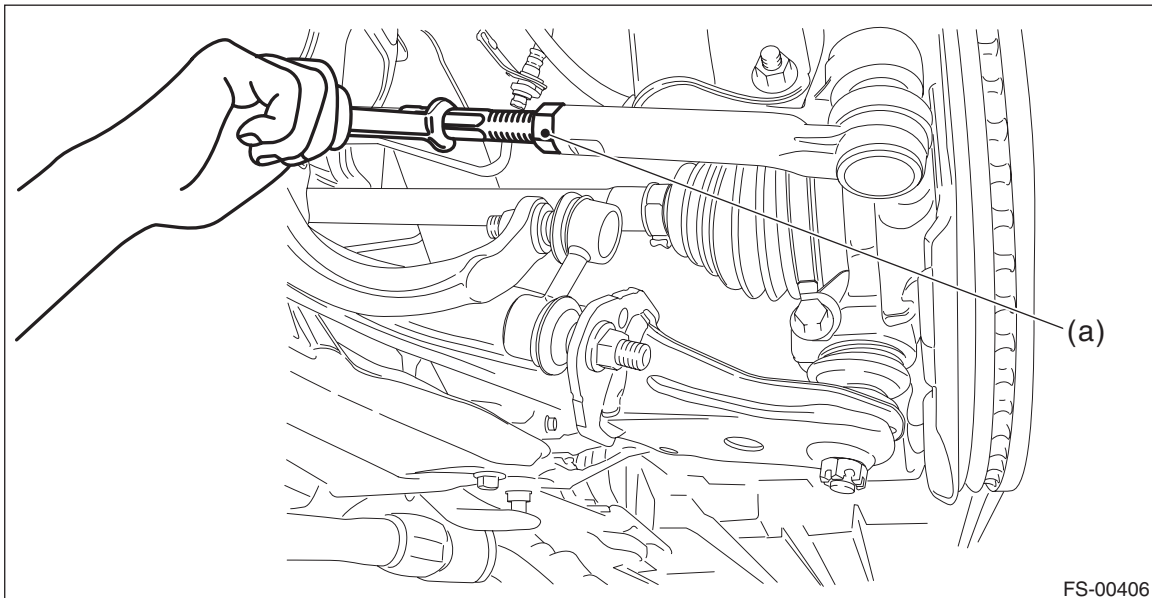
**1±2 mm (0.04±0.08 in)**

- 1) Check that the left and right wheel steering angles are within specification.
- 2) Loosen the left and right side steering tie-rod lock nuts (a).
- 3) Turn the left and right tie-rods by equal amounts until the toe-in is at the specification.

### NOTE:

Both the left and right tie-rods are right-hand threaded. To increase toe-in, turn both tie-rods clockwise by equal amount (viewing from the inside of vehicle).

- 4) Tighten the tie-rod lock nut.



FS-00406

### **Tightening torque:**

**85 N·m (8.67 kgf·m, 62.7 ft·lb)**

- 5) Check and correct the tie-rod boot if twisted.

## 4. REAR WHEEL TOE-IN

When adjusting, adjust it to the following value.

### Toe-in: Adjustment value

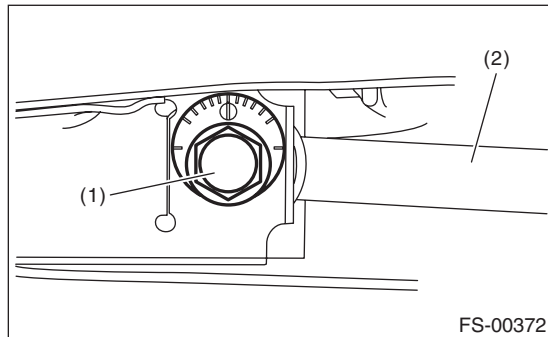
**Other than OUTBACK model:  $0 \pm 2$  mm ( $0 \pm 0.08$  in)**

**OUTBACK model:  $2 \pm 2$  mm ( $0.08 \pm 0.08$  in)**

1) Loosen the self-locking nut for the front lateral link.

NOTE:

When loosening or tightening the adjusting bolt, hold the bolt head and turn the self-locking nut.



(1) Adjusting bolt

(2) Lateral link

2) Turn the adjusting bolt until toe-in is within the specification.

NOTE:

When the left and right wheels are adjusted for toe-in at the same time, the movement of one scale graduation changes toe-in by approx. 1.3 mm (0.05 in).

To increase toe-in.	
Rotate the left side clockwise.	Rotate the right side counterclockwise.
<p style="text-align: center;">FS-00018</p>	<p style="text-align: center;">FS-00019</p>

To decrease toe-in.	
Rotate the left side counterclockwise.	Rotate the right side clockwise.
<p style="text-align: center;">FS-00019</p>	<p style="text-align: center;">FS-00018</p>



# Wheel Alignment

## FRONT SUSPENSION

3) Attach and tighten a new self-locking nut.

**Tightening torque:**

**120 N·m (12.24 kgf·m, 88.5 ft·lb)**

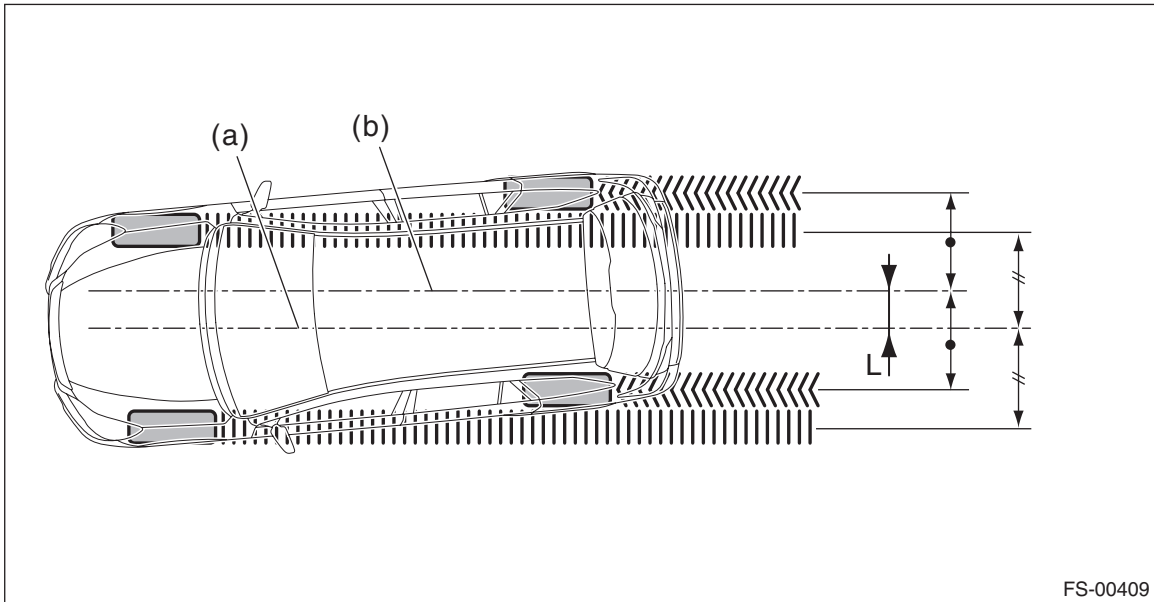
## 5. THRUST ANGLE

When adjusting, adjust it to the following value.

**Thrust angle: Adjustment value**

**$0^{\circ} \pm 20'$**

**Less than 20' when "L" is 15 mm (0.6 in) or less**



(a) Center line of loci (front axle)

(b) Center line of loci (rear axle)

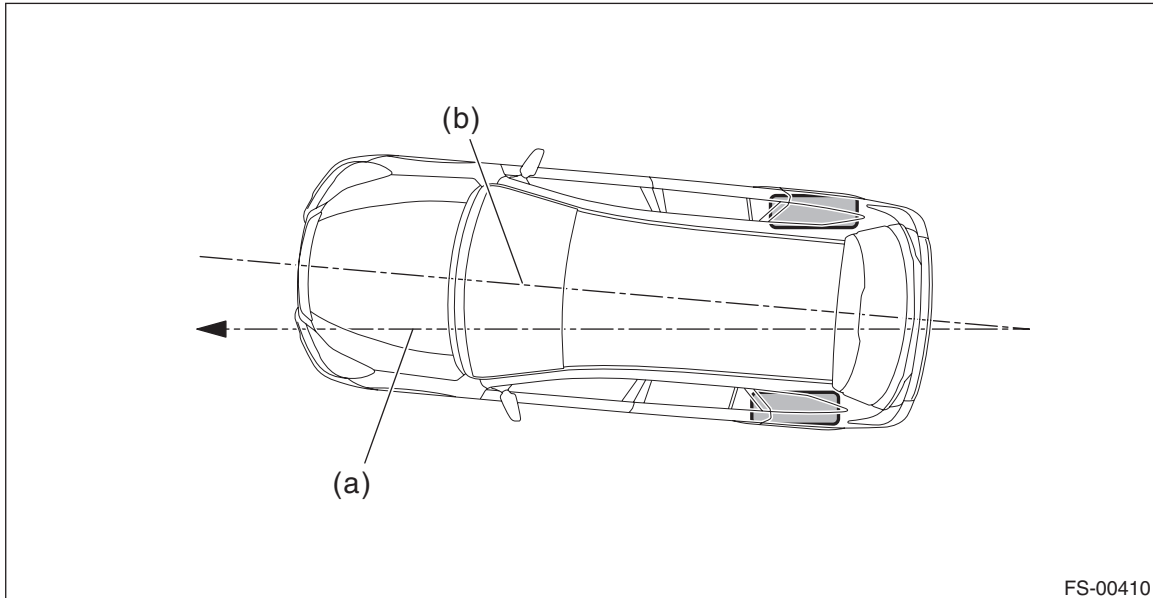
- 1) Make thrust angle adjustments by turning the toe-in adjusting bolts of the rear suspension equally in the same direction.
- 2) When one rear wheel is adjusted in a toe-in direction, adjust the other rear wheel equally in toe-out direction, in order to make the thrust angle adjustment.

# Wheel Alignment

3) When the left and right adjusting bolts are turned by one graduation, the thrust angle will change approx. 15'. ("L" is approx. 11 mm (0.43 in)).

**NOTE:**

Thrust angle is a mean value of left and right wheel toe angles in relation to the vehicle body center line. Vehicle is driven straight in the thrust angle direction while slanting in the oblique direction depending on the degree of the mean thrust angle.



FS-00410

(a) Thrust angle

(b) Body center line

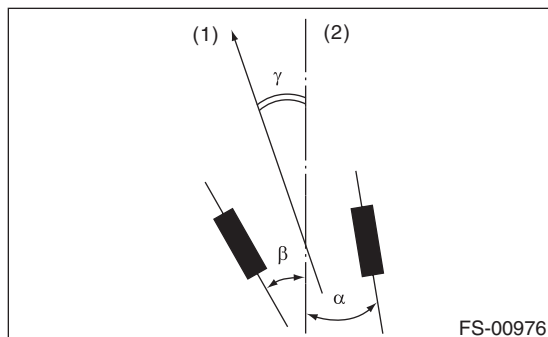
**Thrust angle**

$$\gamma = (\alpha - \beta)/2$$

$\alpha$ : Rear RH wheel toe-in angle

$\beta$ : Rear LH wheel toe-in angle

Substitute only the positive toe-in values from each wheel into  $\alpha$  and  $\beta$  in the calculation.



FS-00976

(1) Front

(2) Body center line